

PUŠKU PUŠKU

Create happiness



PRODUCTS constantly expanding variety of models and fabrics

SERVICES additional services provided as print and embroidery

EXCLUSIVE OFFERS customization of products and creation of unique models



Pušku pušku

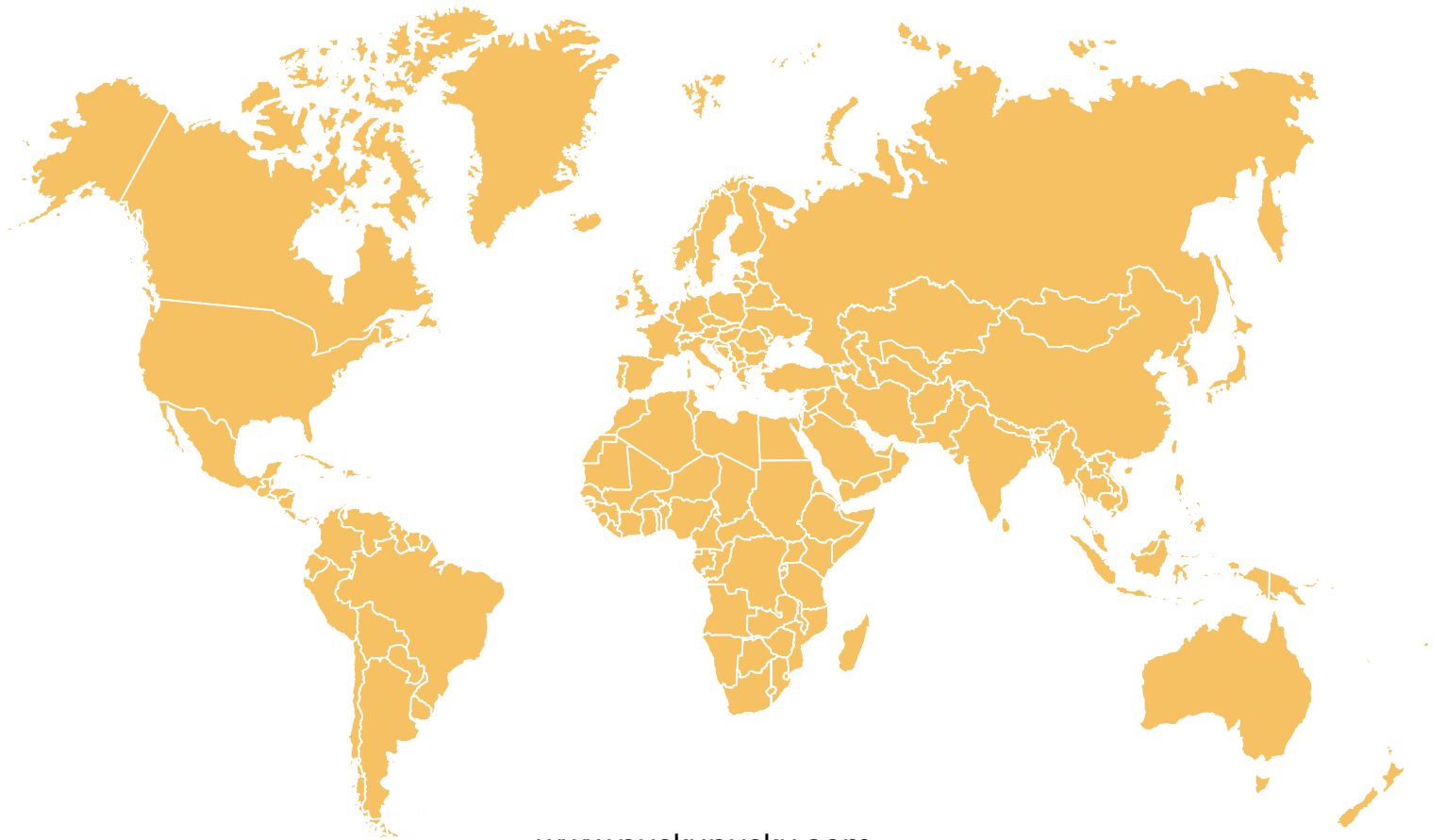
The biggest bean bag manufacturer in Northern Europe

Contacts

www.puskupusku.com | Email: info@puskupusku.com

Phone nr.: +370 685 50921

**We sell and ship bean bags
world wide!**



www.puskupusku.com

Hello!

We are a young and creative team at the enterprise Ltd Pupt, which has maintained the *Pusku pusku* brand in Lithuania and abroad **since 2008**. We follow a philosophy that people do not need big changes or investments in their lives to be happy.

Those joyful moments when you fall into a bean bag and dream a bit or share your thoughts and stories about the day with your loved ones, are natural forms of happiness in which we can all participate. Inspired by this view, we offer a choice of **more than 1500** different bean bags created for modern people who seek new designs and uniqueness in every detail. With a wide range of colours, fabrics and models, even the pickiest person can find a product just for her or him.

We at *Pusku pusku* are pleased to be **the biggest bean bag manufacturer** in Northern Europe, and we are also becoming known all over the world! We are proud that there is special attention for our products in Germany, Italy, Netherlands, Sweden, Finland, Estonia, Latvia, which is why we export more than 60 % of them.

Printed and embroidered bean bags can be even more extraordinary with the unique image or logo of a client. We try to ensure pleasant customer service and guarantee high-quality products, because **we love what we do!** We discover new ideas every day and constantly search for new opportunities, so we're open to all ideas and suggestions.

Young and creative: that's us. Let's meet each other!

The Pusku pusku team



**Available
models**

Bean bag guide

FIND YOUR OWN BEAN BAG



OM COLLECTION



OM 85

New relax experience!
Dimensions:
Length: 85 cm, Height: 60 cm,
Width: 85 cm, Weight: 8 kg



OM 110

New relax experience!
Dimensions:
Length: 110 cm, Height: 75 cm,
Width: 110 cm, Weight: 16 kg



OM 135

New relax experience!
Dimensions:
Length: 135 cm, Height: 90 cm,
Width: 135 cm, Weight: 26 kg



ON 60

New relax experience!
Dimensions:
Length: 60 cm, Height: 35 cm,
Width: 60 cm, Weight: 4 kg

SNUG COLLECTION



SNUG 100

Luxury softness and comfort!
Dimensions:
Length: 110 cm, Height: 85 cm,
Width: 100 cm, Weight: 13 kg

MORE MODELS COMING SOON

ROLL COLLECTION



ROLL 80

For extra soft lounging!
Dimensions:
Length: 80 cm, Height: 50 cm,
Width: 80 cm, Volume: 240 L



ROLL 105

For extra soft lounging!
Dimensions:
Length: 105 cm, Height: 50 cm,
Width: 105 cm, Volume: 400 L



ROLL 135

For extra soft lounging!
Dimensions:
Length: 135 cm, Height: 60 cm,
Width: 135 cm, Volume: 710 L



ROLL 190

For extra soft lounging!
Dimensions:
Length: 190 cm, Height: 50 cm,
Width: 190 cm, Volume: 1600 L

MINI COLLECTION



MINI

For unexpected guests!
Dimensions:
Length: 40 cm, Height: 30 cm,
Width: 40 cm, Volume: 45 L

RAZZ COLLECTION



RAZZY

For active kids!
Dimensions:
Length: 110 cm, Height: 65 cm,
Width: 75 cm, Volume: 140 L



RAZZ

For extraordinary comfort!
Dimensions:
Length: 130 cm, Height: 90 cm,
Width: 110 cm, Volume: 300 L



RAZZMATAZZ

For spacious home!
Dimensions:
Length: 155 cm, Height: 95 cm,
Width: 120 cm, Volume: 470 L

COCOON COLLECTION



COCOON 80

A child's best friend!
Dimensions:
Length: 80 cm, Height: 50 cm,
Width: 45 cm, Volume: 80 l.



COCOON 100

Cozy and cute bean bag to wrap in!
Dimensions:
Length: 100 cm, Height: 60 cm,
Width: 55cm, Volume: 160 l.



COCOON 120

Favorite bean bag for chilling!
Dimensions:
Length: 120 cm, Height: 65 cm,
Width: 60 cm, Volume: 250 l

MOOG COLLECTION



UP!

For kids and guests!
Dimensions:
Length: 45 cm, Height: 40 cm,
Width: 45 cm, Volume: 70 L



SOFTBOX

For everyday comfort!
Dimensions:
Length: 70 cm, Height: 40 cm,
Width: 70cm, Volume: 135 L



SOFT TABLE 60

For sitting and setting!
Dimensions:
Length: 70 cm, Height: 40 cm,
Width: 70 cm, Volume: 135 L



MOOG

For royal rest!
Dimensions:
Length: 95 cm, Height: 65 cm,
Width: 125 cm, Volume: 730 L



SOFA MOOG

For royal rest in couples!
Dimensions:
Length: 100 cm, Height: 65 cm,
Width: 195 cm, Volume: 1060 L

LOUNGE COLLECTION



PLUS 50

For tired legs!
Dimensions:
Length: 50 cm, Height: 45 cm,
Width: 50 cm, Volume: 110 L



PLUS 70

For tired legs!
Dimensions:
Length: 70 cm, Height: 45 cm,
Width: 60 cm, Volume: 135 L



PLUS 100

For tired legs!
Dimensions:
Length: 100 cm, Height: 45 cm,
Width: 60 cm, Volume: 210 L



SEAT

For everyone's comfort!
Dimensions:
Length: 105 cm, Height: 85 cm,
Width: 80 cm, Volume: 320 L



SEAT 100

For even more comfortable rest
Dimensions:
Length: 120 cm, Height: 85 cm,
Width: 100 cm, Volume: 480 L



SOFA SEAT

For a cozy get-together with friends!
Dimensions:
Length: 120 cm, Height: 85 cm,
Width: 145 cm, Volume: 700 L



SUNBED

For comfortable lying!
Dimensions:
Length: 180 cm, Height: 80 cm
Widths: 70 cm, Volumes: 470 L



SUNBED 90

Lounging in the sun comfortably!
Dimensions:
Length: 180 cm, Height: 80 cm
Widths: 100 cm, Volumes: 700 L



SOFA SUNBED

For royal relaxation by the sun
Dimensions:
Length: 180 cm, Height: 80 cm
Widths: 140 cm, Volumes: 1000 L



LOUNGE

For a relaxing evening!
Dimensions:
Length: 135 cm, Height: 80 cm,
Width: 80 cm, Volume: 360 L



LOUNGE 100

For more comfort!
Dimensions:
Length: 140 cm, Height: 80 cm,
Width: 100 cm, Volume: 600 L



SOFA LOUNGE

For relaxation in couples!
Dimensions:
Length: 140 cm, Height: 80 cm,
Width: 145 cm, Volume: 800 L

AMUSE COLLECTION



GAME

For happy kids!
Dimensions:
Length: 75 cm, Height: 65 cm,
Width: 75 cm, Volume: 170 L



PLAY

For both, the big and the little ones!
Dimensions:
Length: 80 cm, Height: 85 cm,
Width: 80 cm, Volume: 250 L

TUBE COLLECTION



TUBE

Lithuanian passion, Italian design!
Dimensions:
Length: 120 cm, Height: 80 cm,
Width: 70 cm, Volume: 350 L



TUBE 100

For extraordinary relaxation!
Dimensions:
Length: 120 cm, Height: 80 cm,
Width: 100 cm, Volume: 500 L



SOFA TUBE

An Italian design sofa for two!
Dimensions:
Length: 120 cm, Height: 80 cm
Width: 130 cm, Volume: 700 L



SOFA TUBE 160

Lithuanian passion, Italian design!
Dimensions:
Length: 120 cm, Height: 80 cm
Width: 160 cm, Volume: 850 L



SOFA TUBE 190

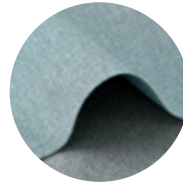
Lithuanian passion, Italian design!
Dimensions:
Length: 120 cm, Height: 80 cm
Width: 190cm, Volume: 1000L

For extra soft lounging!

Updated Roll Collection



AVAILABLE FABRICS AND COLOURS



RIVIERA

OUTDOOR

For temporary use in the open air

Composition: 100 % stain-free polyester + teflon coating
Certified: OEKO-TEX®, REACH

COLOURS:



CANARIA

OUTDOOR

Like a holiday in Spain

Composition: 100 % Olefin, Certified: OEKO-TEX®, Water repellent

COLOURS:



ZARZUELA

OUTDOOR

For exceptional outdoor space!

Composition: 100 % polypropylene, Water repellent,
Certified: OEKO-TEX®

COLOURS:



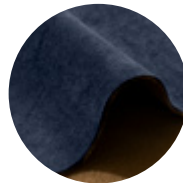
CAPRI

OUTDOOR

The Italian spirit in your terrace

Composition: 100 % Olefin, Certified: OEKO-TEX®, Water repellent

COLOURS:



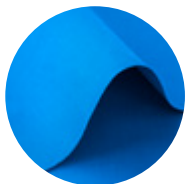
BARCELONA

INDOOR

Modern and luxurious

Composition: 100% polyester, Certified: OEKO-TEX®, REACH

COLOURS:



COLORIN

OUTDOOR

A practical choice for the summer

Composition: 100 % Olefin + Teflon,
Certified: OEKO-TEX®, Water repellent

COLOURS:



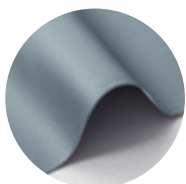
GAIA

INDOOR

Recycled from used PET bottles

Composition: 100% PES, Post-Consumer Recycled Polyeste
Certified: Reach

COLOURS:



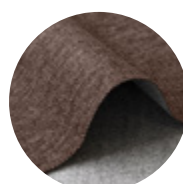
OUTSIDE

OUTDOOR

Inside and outside

Composition: 2 % PU, 83 % PVC, 15 % polyester,
Certified: Reach, Waterproof

COLOURS:



HOME

INDOOR

Cozy and subtle

Composition: 100% polyester, Certified: OEKO-TEX®

COLOURS:





ICON

Modern velour quilted with tiny dots

Composition: 100% PES,
Certified: OEKO-TEX®, REACH

COLOURS:



INDOOR



OX

Youthful and flamboyant!

Composition: 100% polyester with PVC backing

COLOURS:



INDOOR



LURE LUXE

Charming and stylish velour

Composition: 100% polyester, Certified: OEKO-TEX®

COLOURS:



INDOOR



PROFUSE

Certified and fire-resistant

Composition: 100% polyester,
Certified fire resistance

COLOURS:



INDOOR



MADU

A pastel-colored fabric covered with loops

Composition: 93% PES, 6% ACR, 1% COT,
Certified: OEKO-TEX®, Fire resistant DIN EN 1021-1

COLOURS:



INDOOR



TEDDY

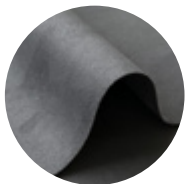
Luxurious and very fashionable

Composition: 100% polyester,
Certified: OEKO-TEX®

COLOURS:



INDOOR



MASTERFUL

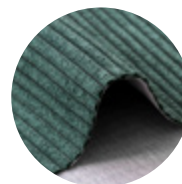
Luxurious and high quality

Composition: 100% polyester,
Certified: OEKO-TEX®

COLOURS:



INDOOR



WAVES

Wide wale corduroy

Composition: 100% polyester,
Certified: OEKO-TEX®, REACH

COLOURS:



INDOOR



NORDIC

Stylish and Scandinavian

Composition: 100% polyester,
Certified: OEKO-TEX®

COLOURS:



INDOOR



All our bean bags are hand crafted in Lithuania
with precision to every detail.



QUALITY TO THE SMALLEST DETAIL



1. Durable fabrics are selected



3. Strong double stitches, reinforced threads



2. Durable outer zipper for easy pull-over



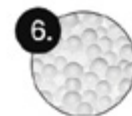
4. The bean bag outer can be replaced, washed and cleaned



5. Elastic inner bag



7. Inner zipper with child protection



6. High-quality granules filler made in Europe



8. Abrasion resistant faux leather bottom

Om

COLLECTION





Om

Fall into. Burst into. Melt into

balciuno designed by

Om 85



Om 110



Om 135



Foam bean bags

	Om 85	Om 110	Om 135
	Width: 85 cm	Width: 110 cm	Width: 135 cm
	Length: 85 cm	Length: 110 cm	Length: 135 cm
	Height: 60 cm	Height: 75 cm	Height: 90 cm
	Weight: 8 Kg	Weight: 16 Kg	Volume: 26 Kg
	Handmade		
	With inner bag		

Om - This is a whole new relax experience, truly luxury softness and comfort. You will enjoy super thought over models for ultimate your body relax. And we are pretty sure that you will have a hard time leaving this super comfortably designed soft and satisfying bean bag. *Om* - comfortable relax, soft foam bean bags are perfect for everyone. With a variety of beautiful colors and textures to choose from, these luxury items make a comfortable accent for any room.

Comfortable addition recommended: *On 60* - specially designed to put comfortably your feet on!

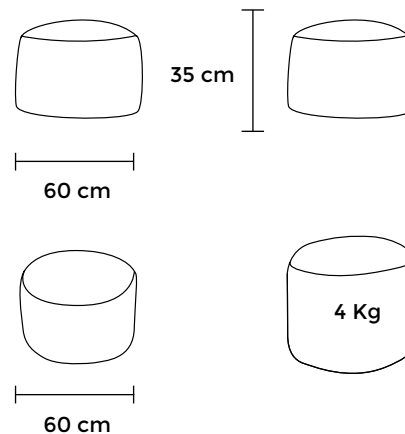


// MODEL & FABRIC: OM 110 TEDDY, PILLOW SQUARE 65 TEDDY

On 60

Put your feet on!

balciuno designed by



Foam bean bag



On 60



Width: **60 cm**



Length: **60 cm**



Height: **35 cm**



Weight: **3.5 Kg**



Handmade



With inner bag

On 60 - a comfortable and very soft pouf designed to stretch your tired legs conveniently. The handmade foam pouf is compact in size, so it takes up little space at home; it is easy to move to different places in the room. *On 60* foam pouf is the best combination of comfort and relaxation with foam bean bags - *Om*. Bean bags are filled with highest quality foam flakes.

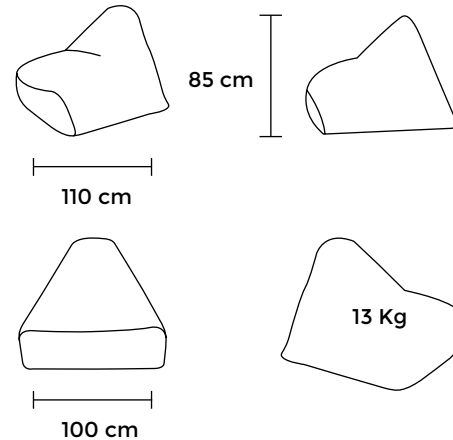


// MODEL & FABRIC: ON60 TEDDY

Snug 100

Luxury softness and comfort!

balciuno designed by



Foam bean bag



Snug 100



Width: **100 cm**



Length: **110 cm**



Height: **85 cm**



Weight: **13 Kg**



Handmade



With inner bag

SNUG 100 – cozy and very soft foam bean bag created for special pleasure and comfort. *SNUG* was designed with a comfortable backrest; elastic, premium quality foam inside adapts to the body shape, so it is especially suitable for easy lounge. Just as all other *Pusku pusku* bean bags, this one is characterized by extremely easy maintenance: an outer cover of the bean bag can be easily removed and washed or replaced by a new one. We are pretty sure that you will have a hard time leaving this super comfortable, soft and satisfying *SNUG* bean bag.



// MODEL & FABRIC: SNUG 100 BARCELONA

Pillows Square

Complete your interior with stylish accents!

Pillow Square 55



Pillow Square 65



Pillow Square 55



Length: **55 cm**



Height: **40 cm**

Pillow Square 65



Length: **65 cm**



Height: **45 cm**

Let us introduce you to our beautiful collection of throw pillows matching all of our bean bags - *Pillow Square*. Pillows are great interior details and the easiest and fastest way to improve any interior, add up some spice or comfort. You can have as many as you want pillows on your sofas, bean bags. Pillow can become a uniting bridge in your interior between new and old furniture pieces. Example you bring some green bean bag home, so that this furniture does not feel alone, add up some decorative pillows same color and texture, and you will get the balanced view.

Pillows Square are washable, and light so you can carry them around your house. Change cover, change color and make them outdoor instead of indoor. Multi-functional comfort and pretty wherever you are.



// **MODEL & FABRIC:** OM 135 GAIA, PILLOW SQUARE 65 GAIA

Roll

For extra soft lounging!

Roll 80



Roll 105



Roll 80

Roll 105



Width: **80 cm**

Width: **105 cm**



Length: **80 cm**

Length: **105 cm**



Height: **50 cm**

Height: **50 cm**



Volume: **240 L**

Volume: **400 L**



Handmade



With inner bag

Roll is a donut-shaped bean bag designed for especially soft lounging. Round handmade bean bags are made in two sizes: *Roll 80* is smaller and more compact, and *Roll 105* is more suitable for spacious homes. This soft piece of furniture is designed with handles so that it would be easily moved to different places in the room, thus making it suitable for both children and adults. The granules inside the bean bag perfectly adapt to the body shape, thus providing a person with more comfort. *Roll* is a perfect choice when you just want to lounge and nothing more.



// MODEL & FABRIC: ROLL 80 WAVES

Roll

For extra soft lounging!

Roll 135



Roll 190



Roll 135

Roll 190



Width: **135 cm**

Width: **190 cm**



Length: **135 cm**

Length: **190 cm**



Height: **60 cm**

Height: **50 cm**



Volume: **710 L**

Volume: **1600 L**



Handmade



With inner bag

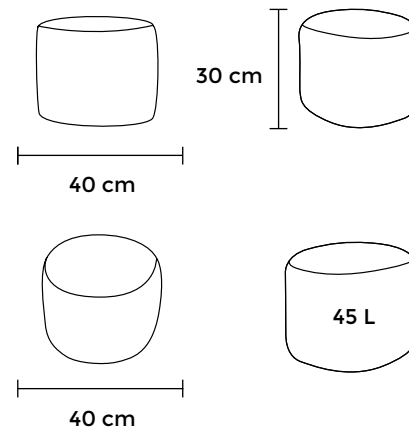
Roll 135 and Roll 190 - are doughnut-shaped bean bags. *Roll 135* is a bean bag, on which several people can relax at once. This bean bag is not only a stylish piece of home decor, but is also a very comfortable piece of furniture with a wide range of sitting positions. *Roll 190* is the largest bean bag in the range with a diameter of almost 2 m. This bean bag is the perfect choice, when all you want to do is to lounge with the family. The bean bags has a convenient handle, making it easy to carry to other areas of the room.



// MODEL & FABRIC: ROLL 190 WAVES

Mini

For unexpected guests!



Mini



Width: **40 cm**



Length: **40 cm**



Height: **30 cm**



Volume: **45 L**



Handmade



With inner bag

Mini is a pouf-shaped compact bean bag designed for both children and adults. Handmade bean bag is suitable for the use in various everyday situations - to seat your unexpected guests or sit down when you put on your shoes, play table games or spend evening at the campfire in the nature. Children especially fancy this light *Mini* bean bag because it is easy to carry, making it a perfect gift for the little ones during various joyful events.



// MODEL & FABRIC: MINI CANARIA

Razz

For extraordinary comfort!

balciuno designed by

Razzy



Razz



Razzmatazz



Razzy

Razz

Razzmatazz



Width: **75 cm**

Width: **110 cm**

Width: **120 cm**



Length: **110 cm**

Length: **130 cm**

Length: **155 cm**



Height: **65 cm**

Height: **90 cm**

Height: **95 cm**



Volume: **140 L**

Volume: **300 L**

Volume: **470 L**



Handmade



With inner bag

Razz is a triangular bean bag designed to feel special comfort. A soft piece of furniture is designed with a backrest; the granules inside it adapt to the body shape, so it is especially suitable for easy lounge. This handmade sitting-bag is equipped with an additional handle inside, so it is convenient to carry it to different places in the room. *Razz* is especially popular among young people, and is often used in the rest rooms of start-ups and during informal meetings.



// **MODEL & FABRIC:** RAZZ MADU

Cocoon

COLLECTION





Cocoon

Cozy and cute bean bag to wrap in!

balciuno designed by

Cocoon 80



Cocoon 100



Cocoon 120



	Cocoon 80	Cocoon 100	Cocoon 120
	Width: 45 cm	Width: 55 cm	Width: 60 cm
	Length: 80 cm	Length: 100 cm	Length: 120 cm
	Height: 50 cm	Height: 60 cm	Height: 65 cm
	Volume: 80 L	Volume: 160 L	Volume: 250 L
	Handmade		
	With inner bag		

The *Cocoon* is a soft multifunctional handmade bean bag for children, teenagers and adults! The bean bag adapts to body and is extremely comfortable, cozy and cute. The *Cocoon* also has a zipper, which allows its function to be changed. It can be used not only to sit comfortably on, but also use it as a soft blanket and wrap inside of it. Aside from this, it is a stylish addition to a home's interior design that will help brighten up any room. Without any sharp edges, the lightweight *Cocoon* bean bag will become your favorite chill furniture for movie nights, reading days, and chilling moods! Made in Lithuania.



// **MODEL & FABRIC:** COCOON 120 WAVES

MooG

COLLECTION

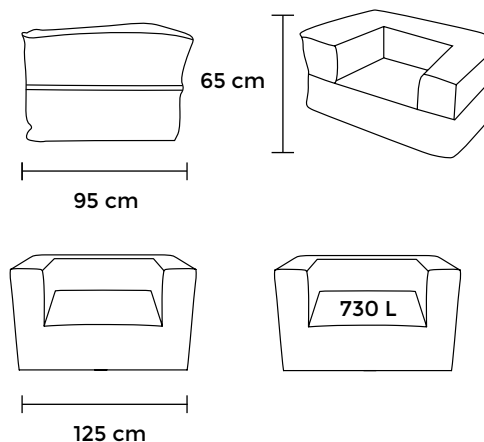




MooG

For royal rest!

balciuno designed by



MooG



Width: **125 cm**



Length: **95 cm**



Height: **65 cm**



Volume: **730 L**



Handmade



With inner bag

MooG is a chair-shaped bean bag created for royal rest. At first glance, a handmade bean bag reminds a stable throne, but after sitting, the polystyrene granules inside it adapt to the body shape of a person, and it becomes even more comfortable. Modern and solid-shaped chair is perfect for those, who want to combine classics and modernity in their interior. *MooG* is a bean bag, which creates the impression of a massive piece of furniture, and therefore, it is best for the use in spacious homes or offices.

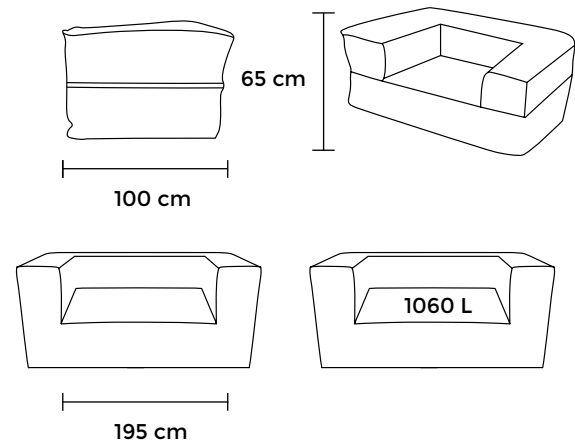


// **MODEL & FABRIC:** MOOG WAVES, MINI WAVES

Sofa MooG

A royal rest for couples!

balciuno designed by



Sofa MooG



Width: **195 cm**



Length: **100 cm**



Height: **65 cm**



Volume: **1060 L**



Handmade



With inner bag

Sofa MooG is a sofa-shaped bean bag designed for royal relaxation for two. A handmade sofa is the best alternative to conventional sofas, because it goes through any door thanks to polystyrene granules inside it, and most importantly, it adapts to the body shapes of a person. This piece of furniture is suitable for both classical and modern interior; it is commonly used in spacious homes and big offices. *Sofa MooG* is a solid and comfortable bean bag for lovers of non-standard furniture.

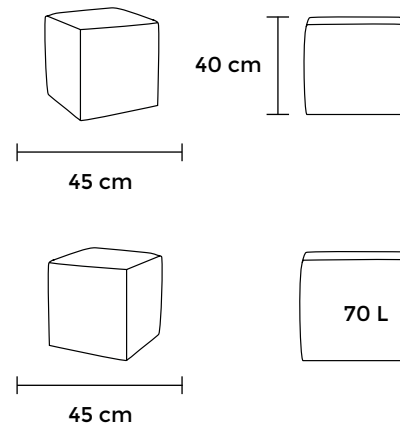


// MODEL & FABRIC: SOFA MOOG BARCELONA

Up!

For kids and guests!

balciuno designed by



Up!



Width: **45 cm**



Length: **45 cm**



Height: **40 cm**



Volume: **70 L**



Handmade



With inner bag

Up! is a cube-shaped bean bag, which is the best alternative to conventional poufs. A handmade bean bag is suitable for both children and adults, because it is very practical: it is of compact size, comfortable and adaptable to body shapes. This pouf is often used to seat unexpected guests or sit down when putting on your shoes.



// MODEL & FABRIC: UPI TEDDY

Softbox

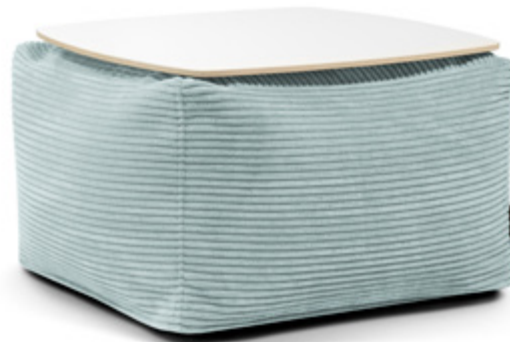
For sitting and setting!

balciuno designed by

SoftBox



Soft Table 60



SoftBox

Soft Table 60



Width: **70 cm**

Width: **70 cm**



Length: **70 cm**

Length: **70 cm**



Height: **40 cm**

Height: **40 cm**



Volume: **135 L**

Volume: **135 L**



Handmade



With inner bag

Softbox is a compact, comfortable bean bag designed for pleasant sitting every day. A handmade bean bag is universal, so it can be used as a pouf to sit down, or a table to put your things on it. In addition, it is often used to seat unexpected guests, or to sit down when putting on your shoes.

Soft Table 60 is a set consisting of a bean bag and additional table top, which is designed for sitting and putting things on it. *Top 60* is white-coloured 100% plywood panel framed with natural wood at the edges that are placed on bean bag *Softbox*



// **MODEL & FABRIC:** SOFT TABLE 60 CAPRI

Lounge

COLLECTION





Seat

For everyone's comfort!



designed by
balciuno

Seat



Seat 100



Seat

Seat 100



Width: **80 cm**

Width: **100 cm**



Length: **105 cm**

Length: **120 cm**



Height: **85 cm**

Height: **85 cm**



Volume: **320 L**

Volume: **480 L**



Handmade



With inner bag

Seat is an armchair shaped bean bag that has already become classic and has had its model design patented. Handmade bean bag is designed with a comfortable backrest and headrest; the granules inside it adapt to the body shape, so a person can have a pleasant relaxation. This soft piece of furniture is designed for different needs: it is convenient when you work or play computer games, watch movies, read books. *Seat* is a universal bean bag, and therefore, suitable for the use in homes, cottages, conference rooms and events.

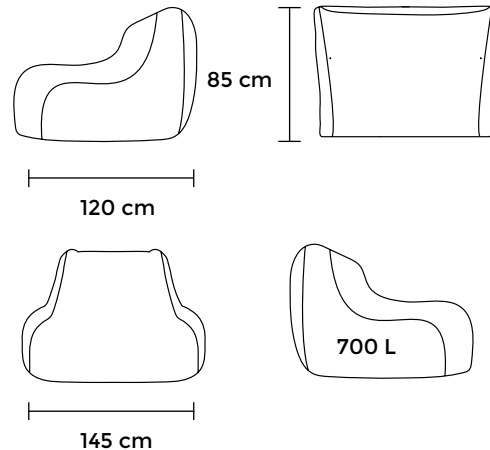


// MODEL & FABRIC: SEAT CANARIA, SOFTBOX CANARIA

Sofa Seat

For a cozy get-together with friends!

balciuno designed by



Sofa Seat



Width: **145 cm**



Length: **120 cm**



Height: **85 cm**



Volume: **700 L**



Handmade



With inner bag

Sofa Seat is a comfortable bean bag, which is the best alternative to conventional sofas. The model of handmade bean bag reminds a standard sofa, but as soon as you sit down, the granules adapt to the shape of your body, and it becomes even more comfortable; it is easy to move and go through any door. Several friends and family members can enjoy this bean bag at the same time. *Sofa Seat* is a universal sofa that is suitable for not only watching TV, but also cosy sitting by the fireplace, reading and working at the computer.



// MODEL & FABRIC: SOFA SEAT WAVES

Lounge

For a relaxing evening!

balciuno designed by

Lounge



Lounge 100



Lounge

Lounge 100



Width: **80 cm**

Width: **100 cm**



Length: **135 cm**

Length: **140 cm**



Height: **80 cm**

Height: **80 cm**



Volume: **360 L**

Volume: **600 L**



Handmade



With inner bag

Lounge is an armchair-shaped bean bag designed for comfortable relaxation. Handmade bean bag has a backrest and extended sitting part, so a person can pleasantly support his back and head and stretch his tired legs. *Lounge* is a soft armchair, which is often used in rest rooms of companies or home terraces, courtyards and homesteads.

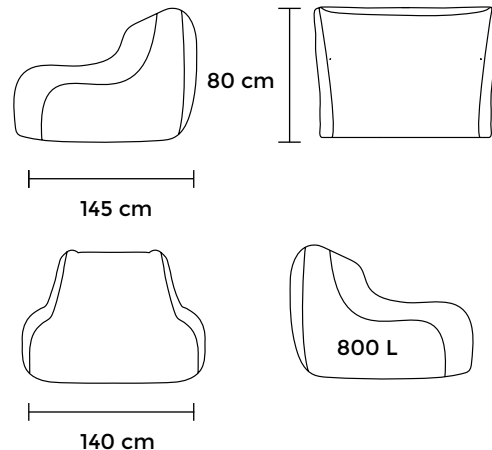


// MODEL & FABRIC: LOUNGE CANARIA

Sofa Lounge

Relaxation for couples!

balciuno designed by



Sofa Lounge



Width: **140 cm**



Length: **145 cm**



Height: **80 cm**



Volume: **800 L**



Handmade



With inner bag

Sofa Lounge is a sofa-shaped bean bag for pleasant relaxation for two. A handmade soft piece of furniture is designed with a backrest and extended sitting part, so it is easy to rest on it and stretch your legs. This bean bag adapts to the body shape of a person; external slipcover can be taken off and cleaned up, and therefore, it is a great alternative to standard sofas. *Sofa Lounge* is a perfect choice for those, who have much space in their houses, homesteads and offices.



// **MODEL & FABRIC:** SOFA LOUNGE CAPRI

Plus

For tired legs!

balciuno designed by

Plus 50



Plus 70



Plus 100



	Plus 50	Plus 70	Plus 100
	Width: 50 cm	Width: 60 cm	Width: 60 cm
	Length: 50 cm	Length: 70 cm	Length: 100 cm
	Height: 45 cm	Height: 45 cm	Height: 45 cm
	Volume: 110 L	Volume: 135 L	Volume: 210 L
	Handmade		
	With inner bag		

Plus is rectangular-shaped bean bag designed to stretch your tired legs conveniently. Handmade pouf is compact in size, and therefore, takes up little space at home; it is easy to move to different places in the room. This pouf is the best combination of comfort and relaxation with Lounge or Seat bean bags. *Plus* bean bag is also often used as a storage space, or seating your unexpected guests.



// MODEL & FABRIC: PLUS 70 WAVES, SEAT WAVES, MINI WAVES

Sunbed

For lazing around & lounging in the sun comfortably!

balciuno designed by

Sunbed



Sunbed 90



Sunbed

Sunbed 90



Width: **70 cm**,

Width: **100 cm**



Length: **180 cm**

Length: **180 cm**



Height: **80 cm**

Height: **80 cm**



Volume: **470 L**

Volume: **700 L**



Handmade



With inner bag

Sunbed and *Sunbed 90* is a deckchair-shaped bean bag for lovers of lying by the pool or on the terrace. Almost two meters long handmade bean bag is perfect for tall people and lovers of sunbathing. This bean bag is designed with a comfortable backrest; the granules inside it adapt to the body shape, so a person can have a pleasant relaxation. *Sunbed* and *Sunbed 90* is a comfortable bean bag, which is often used on terraces of restaurants, cottages and hotel spaces by water pools.

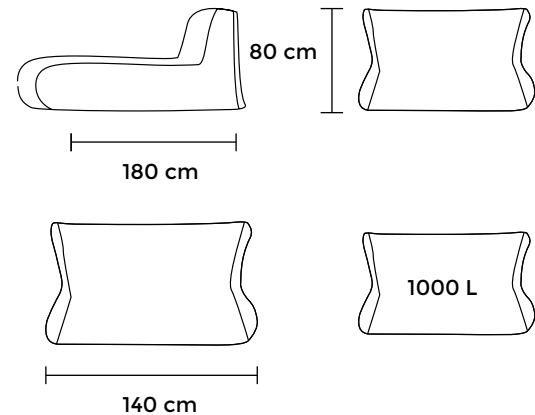


// MODEL & FABRIC: SUNBED 90 CAPRI

Sofa Sunbed

For royal relaxation by the sun

balciuno designed by



Sofa Sunbed



Length: **180 cm**



Height: **80 cm**



Width: **140 cm**



Volume: **1000 L**



Handmade



With inner bag

Sofa Sunbed - designed for royal rest and perfect comfort. This deckchair-shaped bean bag made for lovers of lying by the pool or on the terrace, where you can just relax while reading your favorite book or drinking your favorite lemonade. On this bean bag can lie more than one people, it is 140 cm wide and 1,8 meters long. *Sofa Sunbed* is made with a comfortable backrest, the granules inside it adapt to the body shape, so a person can have a pleasant relaxation. *Sofa Sunbed* is a comfortable bean bag, which is often used on terraces of restaurants, cottages and hotel spaces by water pools.



// **MODEL & FABRIC:** SOFA SUNBED CAPRI

Large beach towel

For royal relaxation!

balciuno designed by

For Sunbed



For Sunbed 90



For Sofa Sunbed



For Sunbed

For Sunbed 90

For Sofa Sunbed



Length: **230 cm**

Length: **230 cm**

Length: **230 cm**



Width: **65 cm**

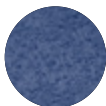
Width: **95 cm**

Width: **135 cm**

Colours



Beige



Navy

Pusku pusku Beach Towels are made bigger than the usual bath towels, super absorbent and lightweight, oversized in order to provide with full comfort while sunbathing on our bean bag or used separately. Our beach towels are made in 3 sizes, which can fit comfortably 1 person as well as the whole family and friends if needed. Compact when folded: ideal for vacations and travels. Our beach towels are made from 100% soft cotton - Terry fabric. This breathable material is totally safe to use and is free of any toxic or allergenic materials OEKO-TEX® 100 certified. It is safe and great for kids. This multipurpose material is breathable, pleasant and soft to touch. Maximum comfort and durability to withstand multiple washing and drying cycles.



// **MODEL & FABRIC:** SOFA SUNBED CAPRI, SOFTBOX CAPRI, LARGE BEACH TOWEL

Zip

COLLECTION



SEAT ZIP

For everyone's comfort!
Dimensions: Length: 105 cm,
Height: 85 cm, Width: 80 cm,
Volume: 320 L

ONE SEATER



TWO SEATER



THREE SEATER



LOUNGE ZIP

For a relaxing evening!
Dimensions: Length: 135 cm,
Height: 80 cm, Width: 80 cm,
Volume: 360 L

**ONE
SEATER**



**TWO
SEATER**



**THREE
SEATER**



SUNBED ZIP

For comfortable lying!

Dimensions: Length: 180 cm,
Height: 80 cm, Width: 70 cm,
Volume: 470 L

ONE SEATER



TWO SEATER



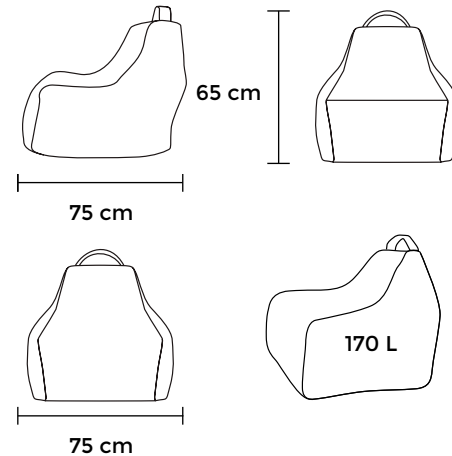
THREE SEATER



Game

For happy kids!

balciuno designed by



Game



Width: **75 cm**



Length: **75 cm**



Height: **65 cm**



Volume: **170 L**



Handmade



With inner bag

Game is a handmade bean bag for children of all ages. This bean bag is equipped with additional handle, which makes it very convenient if you want to move to different gaming sites; it also has an additional pocket, where the little ones can keep their toys. *Game* is a lightweight piece of furniture for children, without sharp corners, so the little ones will avoid injuries; the granules inside it will perfectly adapt to the body shape. This lightweight baby armchair is especially popular when playing table games, drawing or watching movies.

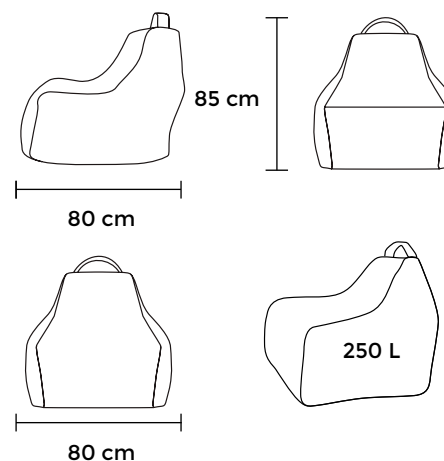


// **MODEL & FABRIC:** GAME COLORIN

Play

For both, the big and the little ones!

balciuno designed by



Play



Width: **80 cm**



Length: **80 cm**



Height: **85 cm**



Volume: **250 L**



Handmade



With inner bag

Play is a handmade bean bag designed for both children and adults. The bean bag of compact size is with an additional handle, which makes it very convenient to move to different places in the room; the granules inside it adapt to the body shape. Soft armchair *Play* is often used as a promotional tool: trademark logos are printed or embroidered on bean bag. The youth organizations as well as the companies that have their recreational areas especially like this lightweight piece of furniture.



/// MODEL & FABRIC: PLAY WAVES



Tube

COLLECTION



Tube

Lithuanian passion, Italian design!

DESIGNED IN ITALY
BY
whynot

Tube



Tube 100



Tube

Tube 100



Width: **70 cm**

Width: **100 cm**



Length: **120 cm**

Length: **120 cm**



Height: **80 cm**

Height: **80 cm**



Volume: **350 L**

Volume: **500 L**



Handmade



With inner bag

The *Tube* model was created by Italian product designer Francesco Costacurta and is made and assembled by *Pusku pusku* in Lithuania.

Tube is elliptically tubular bean bag, which is the best alternative to usual chair. Tube model is one of our best sellers. It offers very comfortable and stable sitting experience. The special construction of the internal bag lets it maintain a stable bean bag shape and the comfortable backrest ensures comfort and relaxation. A bean bag is handmade and fabric cut diagonally and joined, thus creating a stylish geometric composition.



// **MODEL & FABRIC:** TUBE, PILLOW SQUARE 65, SOFT TABLE 60 TEDDY.

Sofa Tube

Lithuanian passion, Italian design!



Sofa Tube



Sofa Tube 160



Sofa Tube 190



	Sofa Tube	Sofa Tube 160	Sofa Tube 190
	Width: 130 cm	Width: 160 cm	Width: 190 cm
	Length: 120 cm	Length: 120 cm	Length: 120 cm
	Height: 80 cm	Height: 80 cm	Height: 80 cm
	Volume: 700 L	Volume: 850 L	Volume: 1000 L
	Handmade		
	With inner bag		

Sofa Tube is an Italian-designed sofa made for two or more people to rest comfortably. This bean bag model was created by an Italian product designer named Francesco Costacurta who represents a company called Why Not in Milan. This hand-made furniture is made with a comfortable backrest to lean against. The new inner bag technology ensures an especially comfortable rest that several family members will be able to enjoy simultaneously. This sofa can easily be carried over into another room, so this bean bag will become your favourite oasis of rest. *Sofa Tube* is a great choice for those looking for an alternative to ordinary sofas and a unique design solution for their home.



// **MODEL & FABRIC:** SOFA TUBE 160 BARCELONA



Fabrics

Our broad assortment of colours and fabrics will let you choose the right *Pusku pusku* bean bag chair for you. Our specialists carefully select fabrics according to technical requirements to ensure the highest quality of the product. Every fabric has its own unique characteristics: some are perfect for relaxing at home while others are indispensable for outdoor use. Choose the option that works best for you!



PUŠKU PUŠKU

More fabrics next page ->



Fabric Canaria - like a holiday in Spain!

Canaria is a pastel, summer-colored fabric that is suitable for both outdoor or indoor use. Air-permeable, breathable and water-repellent upholstery tapestry is woven from two different colors, the pattern gives the fabric modernity and the touch of summer freshness. Bean bags made of *Canaria* fabric can be taken anywhere – enjoy stylish furniture by the sun in your outdoor terrace, balcony or by the pool! This tapestry meets the ecological standard OEKO-TEX® 100, so it is completely safe to use, is free of harmful substances and allergens. Due to the special composition of tapestry, no mold develops on the fabric. This high quality, practical upholstery can be machine washed at 30°C without damaging the fabric.



Fabric: 100 % olefin



Weight: 460 g / m²



Abrasion resistant: 25 000 cycles (Martindale test)



Machine-washable at a temperature no higher than 30°C



Breathable fabric



Pilling resistance: 5 (based on ISO 12945-2:2002);



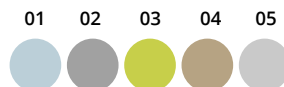
Water repellent



Lightfastness: 8/8 (according to ISO 105-B02 standard)



Certified fabric OEKO-TEX® 100



01. Light Blue, 02. Grey, 03. Lime, 04. Sand, 05. Light Grey.



// MODEL & FABRIC: SUNBED CANARIA



Fabric Capri - the Italian spirit in your terrace!

Capri is a pastel-colored fabric that is suitable for both outdoor and indoor use. Air-permeable, breathable and water-repellent upholstery tapestry is woven of two different colors that give it the touch of summer freshness. A bean bag made of *Capri* fabric is a great choice for those who are looking for stylish outdoor furniture for terraces or balconies. This upholstery tapestry meets the ecological standard OEKO-TEX® 100, so it is completely safe to use, is free of harmful substances and allergens. This high quality, practical upholstery tapestry can be machine washed at 30°C without damaging the fabric.

The main advantages: certified fabric OEKO-TEX® 100, water repellent and suitable for outdoor use, air-permeable, washable



Fabric: 100 % olefin



Weight: 450 g / m²



Abrasion resistant: 56 000 cycles (Martindale test)



Machine-washable at a temperature no higher than 30°C



Air-permeable



Pilling resistance: 4 (based on ISO 12945-2:2002);



Water repellent



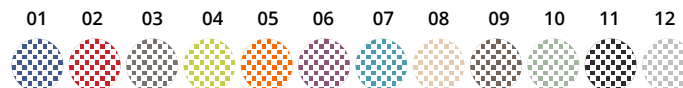
Lightfastness: 8/8 (according to ISO 105-B02 standard)



No chemical substances (REACH conformity certification)



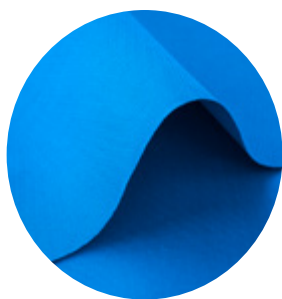
Certified fabric OEKO-TEX® 100



01. Blue, 02. Dark Red, 03. Grey, 04. Lime, 05. Orange, 06. Purple, 07. Turquoise, 08. Beige, 09. Brown, 10. Green, 11. Black, 12. Light Grey













// MODEL & FABRIC: SUNBED CAPRI

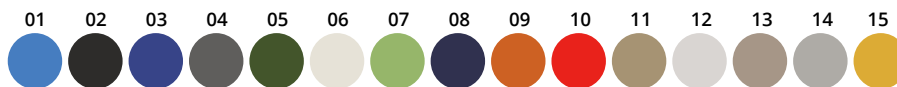


Fabric Colorin - a practical choice for the summer!

Colorin is an exquisite tapestry fabric suitable for both outdoor and indoor use. The fabric is water-repellent, breathable and extremely colourfast (> 7/8) – the vivid colours will not fade even in the sunniest of days. OEKO-TEX® Class1 certificate ensures that the fabric is free of any toxic substances and allergens, making it a perfect choice for both adults and children. Bean bags made of *Colorin* can be taken anywhere – enjoy the sun in your outdoor terrace, balcony or by the pool!

Key features: manufactured in Spain, suitable for both indoor and outdoor use, machine-washable, water-repellent, suitable for children, extremely high colourfastness, high-quality, breathable fabric.

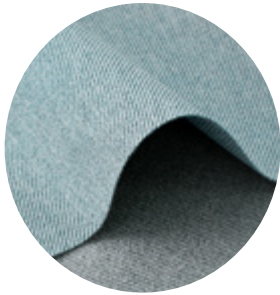
-  Fabric: 100% Olefin + Teflon water-repellent layer
-  Weight: 250 g / m²
-  Abrasion resistant: 20 000 cycles (Martindale test)
-  Machine-washable at a temperature no higher than 40°C
-  Water-repellent
-  Colour fastness to chlorinated Water: 5/5 (ISO 105-E03)
-  Colour fastness to abrasion: 4/5 (ISO 105-X12)
-  Lightfastness: 7/8 (according to ISO 105-B02 standard)
-  Pilling resistance: 5 (based on ISO 12945-2:2002);
-  Certified fabric OEKO-TEX® 100



01. Azure, 02. Black, 03. Blue, 04. Dark Grey, 05. Green, 06. Ivory, 07. Lime, 08. Navy, 09. Orange, 10. Red, 11. Sand, 12. Silver, 13. Taupe, 14. White Grey, 15. Yellow.



// MODEL & FABRIC: OM 135 COLORIN



Fabric Riviera – for temporary outdoor use!

Riviera is the material that comes in a variety of pastel colours, which is suitable for use both in indoor and outdoor spaces. The fabric surface is provided with a special coating – the stain-free layer (teflon) offering lasting protection against dirt and moisture and ensuring run-off of spilled fluids (preventing absorption).

Riviera is child-friendly as it contains no chemical substances (REACH conformity certification) and easy-care – the top surface impurities can be easily wiped off and the external case is suitable for machine wash at 40°C. This is a breathable fabric, which is suitable for temporary outdoor use: on porches, terraces, beaches and pool areas. *Riviera* fabric – a practical choice inspired by the Mediterranean Sea!



Fabric: 100 % stain-free polyester



Weight: 320 g / m²



Abrasion resistant: 100 000 cycles (Martindale test)



Machine-washable at a temperature no higher than 40°C, dry cleaning possible



Breathable fabric



Active stain-free protection (provided with special coating – Repellan®)



Hydrophobic fabric (water drops on the fabric surface will run off as separate beads)



Lightfastness: 6/8 (according to ISO 105-B02 standard)



No chemical substances (REACH conformity certification)



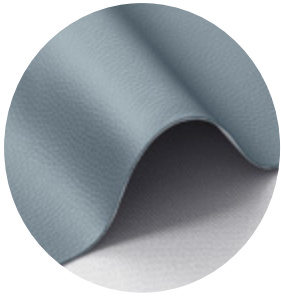
Certified fabric OEKO-TEX® 100



01. Aquamarine, 02. Flamingo Pink, 03. Light Grey, 04. Cacao.



// MODEL & FABRIC: MINI RIVIERA



Fabric Outside – inside and outside!

Outside is a strong and durable artificial leather suitable for use both outdoors and indoors! *Outside* is a very practical material: it is easy to maintain, because any dust or dirt can be easily cleaned with a wet cloth. You can print extra-bright colours and high-quality images on the *Outside* fabric; therefore, it is highly recommended for companies wishing to advertise their brands. Use the beanbag chairs made of this fabric anywhere and anytime!



Artificial leather (2% PU, 83% PVC, 15% polyester)



Non-flammable (according to the EN1021 1+2 standard)



Cleanable



Water resistant



Fabric weight: 600 g / m²



Abrasion resistance: 120,000 cycles (Martindale test)



Lightfastness: 7/8 (according to the ISO 105-B02 standard)



Does not pose a hazard to human health (according to the Health Quality certificate)



No chemical substances (REACH conformity certification)



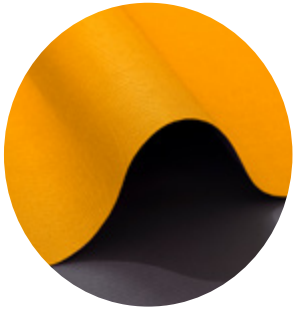
There are no harmful dyes (according to an Ecological test), including printed *Outside* fabric



Meets the hygiene standards (according to the Hygiene certificate)



01. White, 02. Beige, 03. Orange, 04. Yellow, 05. Dark Blue, 06. Green, 07. Red, 08. Black, 09. Blue, 10. Brown, 11. Dark Red, 12. Grey.



Fabric OX – youthful and flamboyant!

OX is a very bright and colorful fabric, especially suitable for youngsters. Actually, it is our most popular fabric. Why? We think that everyone wants to be young and have some piece of “Youthful Flamboyance!”. Advertising companies love this fabric, because it is waterproof and they can place it in indoor/outdoor events. OX is perfect for public, because it is suitable for hard use. The fabric is practical, because it can be cleaned or washed easily.



Fabric: 100 % polyester with PVC backing



Weight: 380 g/ m²



Abrasion resistance: 60 000 cycles (Martindale test)



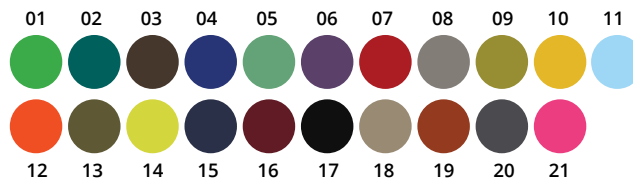
For temporary use outside



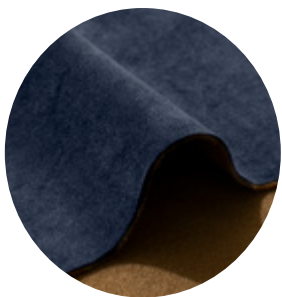
Washable



Cleanable



01. Fresh, 02. Turquoise, 03. Chocolate, 04. Blue, 05. Green, 06. Purple, 07. Red, 08. White Grey, 09. Lime, 10. Yellow, 11. Light Blue, 12. Orange, 13. Khaki, 14. Kiwi, 15. Navy, 16. Burgundy, 17. Black, 18. Beige, 19. Pumpkin, 20. Grey, 21. Pink.



Fabric Barcelona – modern and luxurious!

Barcelona is a velvet fabric that looks luxurious and modern in different interiors. This furniture fabric is breathable and features a special layer that prevents the rapid absorption of liquids. *Barcelona's* short-pile surface is soft, meaning that not only will bean bags with this fabric be comfortable, they will also be pleasant to touch. No chemicals are used in the production of this slightly shimmering fabric (verified compliance with REACH) and it is suitable for interior use. If needed, we recommend dry-cleaning the bean bag's cover using tetrachloroethylene. Give your home a touch of luxury with *Barcelona* fabric bean bags!



Fabric: 100 % polyester



Weight: 440 g/m²



Abrasion resistance: >100000 (Martindale test)



Light resistance: 5 (according to DIN EN ISO 105-B02)



Pilling resistance: 5 (according to DIN EN ISO 12945-2)



Breathable



Dry cleaning with tetrachlorethylene



No chemical substances (REACH conformity certification)

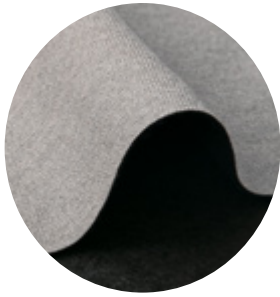
01 02 03 04 05 06 07 08 09 10 11



01. Bordo, 02. Brownie, 03. Coral, 04. Dark Grey, 05. Green, 06. Mustard, 07. Navy, 08. Olive, 09. Taupe, 10. Dark Turquoise, 11. White Grey.



// MODEL & FABRIC: SOFA TUBE BARCELONA, SOFTTABLE60 BARCELONA



Fabric Gaia - recycled from used PET bottles

We are so excited to introduce with our most recent and first recycled fabric *Gaia*. It is made from post customer use recycled plastic.

It is one more strong step forward towards sustainable consumption and cleaner world. All of us can give plastic bottles a second life and enjoy fabric made of recycled materials. With our sights set for intelligent solutions, we proudly present the new *Gaia* collection. The fibers used to produce this fabric are made of recyclable polyester waste, which is confirmed by the GRS (Global Recycled Standard) certification.

This fabric comes with an amazing concept and also is very soft to touch, comes in pastel colors and looks beautiful in modern and classic interior. Fabric is also easy to look after, can be washed in washing machine (not higher than 30° C).



Fabric: 100% PES, Post-Consumer Recycled Polyester



Weight: 370 g / m²



Abrasion resistant: 67 000 cycles (Martindale test)



Machine-washable at a temperature no higher than 30°C



Breathable fabric



Fire resistant DIN EN 1021-1 (cigarette test)



Light resistance: 5/6 (based on SO 105 B02:2014-11)



Pilling resistance: 5 (based on ISO 12945-2:2002);



Certified fabric OEKO-TEX® 100



No chemical substances (REACH conformity certification)

01 02 03 04



01. White Grey, 02. Mint, 03. Coral, 04. Grey.



// **MODEL & FABRIC:** SOFA TUBE GAIA, PILLOW SQUARE 65 GAIA



Fabric Home – cozy and subtle!

Home is a cozy fabric for a cozy and calm room where silence and stillness allows you to relax completely. It's suitable for mature people who are looking for furniture in pastel colors. It has an option of plain colors that can be combined together in the best way for your interior design. Don't worry if it gets dirty, you can simply take the outer bag off and wash it in a washing machine.

Our fabric *Home* has received an OEKO-TEX® 100 certificate. *Home* fabric has an OEKO-TEX® 100 certificate that confirms that this furniture tapestry meets the international ecological standard OEKO-TEX®. This means that the *Home* material is high quality, completely safe to use, reliable, and contains no harmful substances and allergens, therefore it is particularly suitable for children.



Fabric: 100 % polyester



Weight: 305 g/ m²



Abrasion resistance: 100 000 cycles (Martindale test)



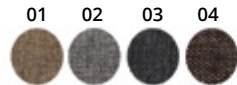
Washable



Breathable



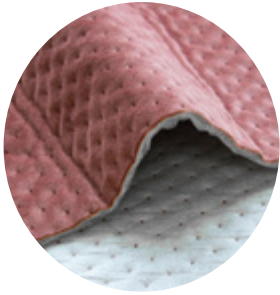
Certified fabric OEKO-TEX® 100



01. Cacao, 02. Light Grey, 03. Dark Grey, 04. Dark Cinnamon.



// **MODEL & FABRIC:** SEAT HOME



Fabric Icon – modern and luxurious!

Icon is a modern velour quilted with tiny dots that will add a cosy and contemporary touch to your interior. The fabric has an extra layer of padding stitched to the inside, which gives the bean bag a firmer shape. The slightly glossy fabric has a soft pile surface and is made without chemicals (REACH conformity certificate) so it is suitable for indoor use. This fabric is perfect for those who want to add a unique feature to their home interior and create a welcoming atmosphere.



Fabric: 100 % polyester



Weight: 415 g/m²



Abrasion resistance: 60 000 (Martindale test)



Light resistance: 4 (based on ISO 105 B02)



Pilling resistance: 5 (based on ISO 12945-2:2002)



Fire resistance: PN-EN 1021-1 (cigarette test)



Washable 30°C



No chemical substances (REACH conformity certification)



Certified fabric OEKO-TEX® 100

01 02 03 04 05 06



01. Beige, 02. Dusty Rose, 03. Olive, 04. Pastel Blue, 05. Taupe, 06. White Grey.



// MODEL & FABRIC: PLUS 50 ICON



Fabric Lure Luxe - charming and stylish velour

Lure Luxe is a velour, diamond-quilted fabric that looks extremely stylish in different interiors. This fabric has an extra sewn-in padded layer on the inside, which makes the bean bag hold its shape more firmly. No chemicals are used in the production of this *Lure Luxe* slightly shimmering fabric (verified compliance with REACH) and it is suitable for interior use. This breathable upholstery tapestry is soft and pleasant to the touch, which gives it extra cosiness. The stains on the outside of the beanbags made from *Lure Luxe* fabric can be cleaned by dry cleaning or by hand washing.

Key advantages: firm fabric, padded layer on the inside, which makes the bean bag hold its shape more firmly, OEKO-TEX® 100 certified fabric, diamond-quilted fabric, fabric is in compliance with REACH, no chemicals.



Fabric: 100% polyester



Weight: 615 g / m²



Abrasion resistant: >100 000 cycles (Martindale test)



Machine-washable at a temperature no higher than 30°C, dry cleaning recommended



Breathable fabric



Pilling resistance: 5 (based on ISO 12945-2:2002);



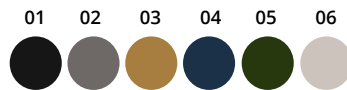
Lightfastness: 4/8 (according to ISO 105-B02 standard)



No chemical substances (REACH conformity certification)



Certified fabric OEKO-TEX® 100



01. Black, 02. Grey, 03. Mustard, 04. Navy, 05 Green, 06 Pearl.



// MODEL & FABRIC: SOFA SEAT LURE LUXE



Fabric Madu – a pastel-colored fabric covered with loops

This stylish fabric has a surface covered with numerous loops. Such surface is obtained with the loop yarn, which is woven into a dense and durable backing that is invisible from the outside. This high-quality fabric is beautiful, soft and pleasant to touch; made of acrylic and cotton which guarantees natural look, and polyester which guarantees durability and strength. *Madu* fabric meets the ecological standard OEKO-TEX® 100 and has the cigarette test certificate which guarantees fire safety. Fabric is suitable for indoor use and can be machine washed for the fresh looks.



Fabric made of 93% PES, 6% ACR, 1% COT



Weight: 570 g/m²



Friction resistance: >100 000 (ISO 12947)



Fire resistant DIN EN 1021-1 (cigarette test)



Washing at temperatures up to 40°



Certified fabric OEKO-TEX® 100

01 02 03 04



01. Cream, 02. Dusty Rose, 03. Light Grey, 04. White.



// **MODEL & FABRIC:** MINI MADU



Fabric Masterful - luxurious and high quality!

Masterful - the highest quality faux suede fabric, with its excellent properties offers a range of benefits over opting for real leather. This animal-friendly alternative maintains the appearance and texture of suede down to the soft, brushed surface without the disadvantage of fraying or potential matting. Bean bags made of this fabric looks extremely modern, solid, stylish and luxurious in the interior. This fabric is fire-resistant, breathable and features a special wax layer that prevents the rapid absorption of liquids. *Masterful* is made without chemicals and has an ecological certificate "OEKO-TEX 100", so it is also suitable for children. If necessary, it is recommended to wash the bean bag cover by hand.



Fabric: 100% polyester



Weight: 550 g/m²



Abrasion resistance: 45 000 (EN ISO 12947-1)



Light resistance: 5 5 (4-5 pagal EN ISO 105-B02)



Hand washing at temperatures up to 30°, dry cleaning recommended



No chemical substances (REACH conformity certification)



Certified fabric OEKO-TEX® 100

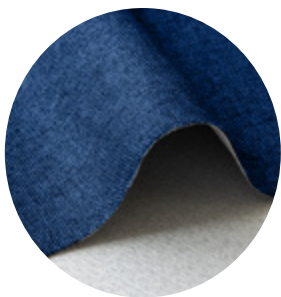
01 02 03



01. Grey, 02. Taupe, 03. White Grey.



// **MODEL & FABRIC:** LOUNGE, MINI MASTERFUL



Fabric Nordic – stylish and Scandinavian!

Nordic is an especially soft fabric for indoor use and very pleasant to touch. There is a wide variety of choice in *Nordic* pallet, so you can find both pastel and vivid colours. Combining these Scandinavian shades and fabric softness you can find the perfect solution for you home interior!

Our fabric *Nordic* has received a OEKO-TEX® 100 certificate. *Nordic* fabric has a OEKO-TEX® 100 certificate that confirms that this furniture tapestry meets the international ecological standard OEKO-TEX®. This means that the *Nordic* material is high quality, completely safe to use, reliable, and contains no harmful substances and allergens, therefore it is particularly suitable for children.



Fabric: 100 % polyester



Weight: 330 g/ m²



Abrasion resistance: 100 000 cycles (Martindale test)



Washable



Breathable



Certified fabric OEKO-TEX® 100

01 02 03 04 05 06 07 08 09



01. Chocolate, 02. Concrete, 03. Grey, 04. Lime, 05. Navy, 6. Pumpkin 07. Red, 08. Silver, 9. Turquoise.



// MODEL & FABRIC: SEAT NORDIC



Fabric Teddy - luxurious and very fashionable!

Teddy is a super trendy fabric in which any *Pusku pusku* bean bag model will become a super luxury looking interior detail. Bean bags with *Teddy* has that soft look of sheep faux fur or curly fluffy teddy bear surface due to the way the fibers appear. This beautiful plush fabric is high quality, soft and very pleasant to touch, made of 100 % polyester and can be machine washed whenever needed for a refresh.



Fabric: 100% polyester



Weight: 420 gr/m²



Friction resistance: > 20 000 ISO 12947: 1999 Part 2



Washing at temperatures up to 30°



Breathable fabric



Light resistance: 5 / 8 ISO EN 105-B02;



Contains no chemical substances (verified compliance with REACH)



OEKO-TEX® 100 certified fabric

01



02



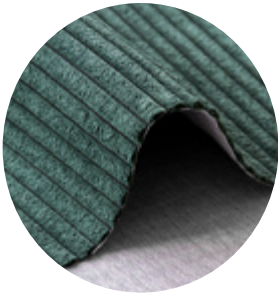
03



01. Cream, 02. Camel, 03. Grey



// MODEL & FABRIC: UPI TEDDY



Fabric Waves – wide wale corduroy!

Waves - a cord velvet that is exceptionally smooth to the touch. The surface of this fabric consists of evenly distributed cut threads with a short dense pile that make the fabric remarkably soft. This wide-waled corduroy was made without using chemical additives (verified compliance with REACH) and is suitable for interior use. The bean bags made out of this soft, breathable fabric *Waves* fill the room with coziness and looks unique! When necessary, the velvet cord cover should be washed at no more than 30 degrees Celsius.

Main advantages: breathable upholstery fabric, thick and smooth wide wale corduroy, no chemical additives used, washing machine friendly!



Fabric: 100% polyester



Weight: 380 g / m²



Abrasion resistant: 100 000 cycles (Martindale test)



Machine-washable at a temperature no higher than 30°C



Breathable fabric



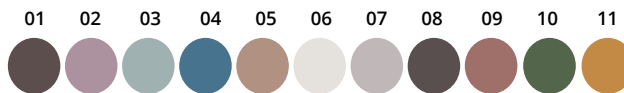
Pilling resistance: 4 (based on ISO 12945-2:2002);



Colour fastness to light: 4-5 / 8 (based on ISO 105 B02)



No chemical substances (REACH conformity certification)



01. Chocolate, 02. Lilac, 03. Mint, 04. Petrol, 05. Sand, 06. Snow, 07. White Grey, 08. Dark Grey, 09. Coral, 10. Green, 11. Mustard.



// MODEL & FABRIC: TUBE WAVES, MINI WAVES



Fabric Profuse – fire resistant fabric

Profuse fabric is an extremely soft, pleasant to the touch, cosy fabric. *Profuse* is an inherently fire-resistant material recommended for public interiors such as hotels, restaurant, offices, business centers or libraries. A subdued palette *Profuse* shades, inspired by the colors of nature, brings peace and harmony feeling. *Profuse* fabric has an OEKO-TEX® 100 certificate that confirms that this furniture tapestry meets the international ecological standard, so this fabric is completely safe to use, high quality, reliable and contains no harmful substances and allergens. *Profuse* is also fire-resistant fabric that meets European standards and has certificates to confirm this. This fabric can be machine-washable at a temperature no higher than 60°C.



Fabric: 100% Polyester



Weight: 400 g/m²



Color fastness to light: 6 / 8 (ISO 105-B02)



Abrasion resistance: 80000 (ISO 12947-2)



Washable 60 °C



Pilling resistance: 5 (ISO 12945-2)

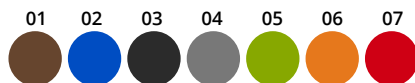


Certified fabric OEKO-TEX® 100



Fire-resistance certificates:

- ✓ 1 IM (UNI 9175)
- ✓ AM 18 (NF D 60013)
- ✓ B1 (DIN 4102)
- ✓ BS 7176
- ✓ C1 (UNI 9174 - UNI 8456)
- ✓ California TB 117
- ✓ CRIB 5 (BS 5852 part II)
- ✓ EN 1021-1&2
- ✓ Euroclass EN 13501-1
- ✓ IMO for upholstery Part 8
- ✓ M1 (NF P 92501-7)
- ✓ ONORM B 3825
- ✓ Onorm A 3800-1 Class B1-Q1-TR1



01. Cacao, 02. Cobalt Blue, 03. Dark Grey, 04. Grey, 05. Lime, 06. Orange, 07. Red.



Fabric Zarzuela – for exceptional outdoor space!!

Zarzuela is a tapestry of summery colors that is suitable for both outdoor terraces or poolside areas and indoor spaces. The material is breathable and water-repellent, while the large and contrasting “fir tree” pattern adds a touch of modernity and originality to the fabric. Bean bags made from thick *Zarzuela* fabric are an excellent choice for those seeking stylish, distinctive, and contemporary outdoor furniture for their terraces or balconies. This fabric complies with the OEKO-TEX® 100 ecological standard, making it completely safe to use, high-quality, and free from harmful substances and allergens. This tapestry is a practical choice due to its high lightfastness rating, as the fabric does not fade on sunny summer days, and if needed, it can be removed and machine washed at a temperature of 40°C.



Fabric: 100 % polypropylene



Weight: 300 g/m²



Abrasion resistance: 22 000 (Martindale test)



Light resistance: 7 (according to PN-EN ISO 105 B02)



Pilling resistance: 4 (according to PN-EN ISO 12945-2:2000)



Air-permeable



Washable 40°C



Water repellent



Certified fabric OEKO-TEX® 100

01 02 03



01. Beige, 02. Blue, 03. Pastel Green.

A close-up, black and white photograph of a quilted blanket. The blanket features a series of parallel, slightly curved ridges that create a textured, ribbed appearance. In the upper right corner, a portion of a zipper is visible, showing the teeth and the fabric of the zipper pull. The lighting is soft, highlighting the texture of the fabric.

Everything about quality

M A I N I N F O R M A T I O N



Inside and outside

We are making *Pusku pusku* bean bags with love! Product quality control is observed in the process of manufacturing of bean bags, which is ensured by assigning a quality code in every phase of manufacturing.

All bean bags consist of two bags:

- **an inner bag**, which is filled with a bean bag filling, i. e. polystyrene (EPS) beads;
 - **an outer bag**, which is easy to take off and wash or clean (depending on the kind of textile it is made of).
- Only strong cloths of special selection and tested by means of the Martindale textile resistance test are used for manufacturing our bean bags.

Zippers

Strong zippers with wide teeth are used for outside bags. Pulls of zippers are hidden under the seam of the cloth thus ensuring protection of the floor covering from damage. All inside bags have zippers, which enables the manufacturer to regulate the quantity of the filling that determines softness of the bean bag.

01



OUTSIDE ZIPPER

02



INSIDE ZIPPER

Bean bag beads

Polystyrene beads that are used for the filling are getting naturally compressed by seating in the course of time. Higher durability and higher density granules are used for *Pusku pusku* bean bags. With the aim to prevent the fire risk, non-flammable granules that are certified as conforming DIN 4102 standard are used for bean bags.



Bean bag with polystyrene beads packaging

Bean bags are packed:

- in two thick and strong bags of recycled polyethylene or
- in a cardboard box containing a pre-packed product in a protective polyethylene bag.



Foam bean bag packaging

Bean bags are packed:

- the inner bag with foam is compressed, vacuumed and placed in a bag;
- the compressed bag is placed together with outer cover in a box.



All packages moisture levels are controlled with a disposable bag that absorbs moisture – a desiccant bag

Bean bag threads and details

Elements for bean bags are cut out semi-automatically. This method enables the manufacturer to avoid any divergence from the set measurements and eliminate defects in the final product. Edges of all textile elements (cut-outs) used for the manufacturing of bean bags are thread-hemmed thus preventing the cloth from raveling and ensuring high quality of the product. Bean bags are sewn by making a double-stitched seam with reinforced (enhanced strength) threads.



Soft woven labels are used
for labelling bean bags



Advertising

Every year, many companies attempt to find ways to increase popularity of their trademark and attract potential customers. How to become more visible? How to ensure visibility at various events, festivals, beaches and in other public places? Which advertising means must be used to ensure your trademark's long-term benefits?

Jim Beam, Bolt, Coca-Cola, Paulig, Malibu, Chupa Chups, Carlsberg, Palmolive, Beach Tennis Club, Somersby, Lays, Pepsi, DPD, Google, Bacardi, Perrier, KIA, Pringles – all these brands have already invoked one particular advertising measure – bean bags with logo prints or embroidery. The high quality *Pusku pusku* bean bags can be successfully integrated into the advertising campaigns (e.g., “buy a product – win a bean bag”); presentations or tasting demonstrations; recreational areas at various events where the consumers happily lounge on bean bags and share their pleasant moments on Facebook and Instagram all year long!



PLAY / MINI BEAN BAGS EMBROIDERY



COCA-COLA POP-UP STORE

Print

Pusku pusku handcrafted bean bags can be designed according to your request. You can choose partial printing or completely cover the bean bag chair with your chosen image. For the best result, we recommend the OX or Outside fabrics.



PRINT Examples



// MODEL & FABRIC: SEAT OUTSIDE

Embroidery

Because of our broad assortment of bean bags, both children and adults can find the right option for them, and all of our bean bag chairs can be embroidered according to your choice. We embroider logos, names or other messages on various fabrics and at various sizes. Contact us and we'll make a unique bean bag just for you!



EMBROIDERY Examples



BENEDIKTAS VANAGAS, „DAKAR RALLY“ RACER

// MODEL & FABRIC: SEAT / PLUS OUTSIDE, EMBROIDERY

Contacts

Global:

www.puskupusku.com
sales@puskupusku.com
+370 685 50921

Lithuania:

www.puskupusku.it
noriu@puskupusku.lt
+370 620 95094

Germany:

www.puskupusku.de
info@puskupusku.de
+49 800 0009760
+49 176 68123321

Latvia:

info@puskupusku.lv
+371 257 17702
www.puskupusku.lv

Estonia:

info@puskupusku.ee
+372 534 02414
www.puskupusku.ee

Sweden:

info@puskupusku.se
+46 72 262 9903
www.puskupusku.se

Production and delivery terms in Europe

Production terms:

Standard bean bags (small amount of products, till 10) 2-4 working days
Standard bean bags (more than 10 units) 5-10 working days
Printed bean bags 15 - 20 working days
Bean bags Embroidery 15 - 20 working days

Delivery terms:

5 - 7 working days in Europe





Pušku pušku

The biggest bean bag manufacturer in Northern Europe





HANDMADE BEAN BAGS since 2008
MADE WITH LOVE IN LITHUANIA