

PUŠKU PUŠKU

Create happiness



BEAN BAGS

Winter Sport Edition



A person wearing a colorful winter jacket and pants is sitting on a large black bean bag on a snowy slope. The background shows a dense forest of evergreen trees under a clear blue sky.

Hello!

We are a young and creative team of Pusku pusku brand in Lithuania and abroad since 2008. We follow a philosophy that people do not need big changes or investments in their lives to be happy, because we believe there is something to be glad about in everyone's life. One of which is bean bag.

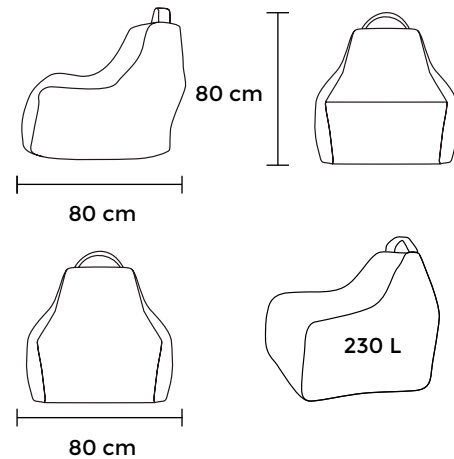
This catalogue is about fun of winter sports with bean bags. Go through the pages and enjoy!

Pusku pusku team

Play

For both, the big and the little ones!

04-05p.



Dimensions:

Length: 80 cm, Height: 80 cm, Width: 80 cm, Volume: 230 L

Handmade bean bag Play is a great choice for those who don't have much space at home. It's lightweight, adjusts to the shape of the body, easy to carry and above all – the bean bag designed for children, is suitable for adults! This soft bean bag is not only a fun piece of furniture for the kids, but also is a great place to relax and watch your calmly sleeping kids after a vibrant day.



Front View



Side View



Back View



Side View

06-07p.





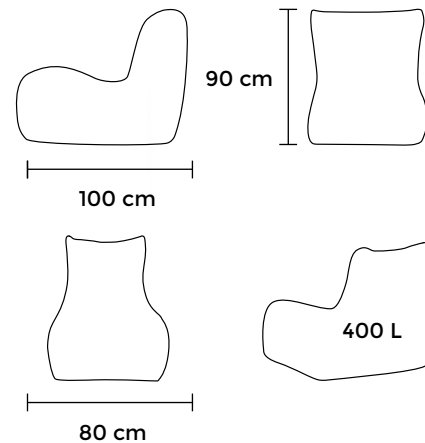
SKI SHOP

// MODEL & FABRIC: SEAT OX, SOFT TABLE 40 OX, PLAY OX

Seat

For everyone's comfort!

08-09p.



Dimensions:

Length: 100 cm, Height: 90 cm, Width: 80 cm, Volume: 400 L

Seat – classic, armchair formed bean bag is suitable for everyone and everywhere. This soft piece of furniture will adjust to your body shape, allow you to fully relax and won't distort your sitting position. A wide range of fabrics and colors will let you accommodate the bean bag perfectly with any interior. Handmade bean bag will be a great companion when working with your PC, watching movies, reading books and etc.



Front View



Side View



Back View



Side View

10-11p.



SKI SHOP

// MODEL & FABRIC: SEAT OX, MINI OX



SKI SHOP
// MODEL & FABRIC: SEAT OX

12-13p.



SKIING RESORT
// MODEL & FABRIC: SEAT OUTSIDE



SKIING RESORT
// MODEL & FABRIC: SEAT OUTSIDE

Print

We provide an additional service - print on the bean bags. You can choose a partial or full print. We recommend printing on our OX and Outside fabrics to achieve the best result. Print on OX is made using special sublimation technology. Print on Outside is made using UV printing technology. Since each technology is adapted according to the features of the fabric final result is of the best quality and always meets our clients' expectations.

14-15p.

01



Mini Side Print

02



Seat & Soft Table 60 Full Print

03



Up! Full Print

Embroidery

Pusku pusku does not only provide print, but also embroidery on the bean bags. We recommend using OX and Outside fabrics in order to get the best possible result. However, client's wish is our command and we will fulfill all the desires they may have. Any logo or icon of various sizes can be embroidered on our bean bags. You just need to contact and leave all the work for us!

04



Play, Mini Embroidery

05



Seat Embroidery

06



Seat Embroidery

A woman in a vibrant, multi-colored ski suit (teal, purple, and white) is sitting on a red, cushioned chair on a snowy mountain slope. She is wearing ski goggles on her head and has a pair of skis with orange bindings resting on the snow in front of her. The background is a clear blue sky and a vast expanse of white snow. The text 'PUŠKU' is overlaid in large, bold, yellow letters across the middle of the image.

PUŠKU

Create ha

BEAN BAGS

Winter Sport Edition

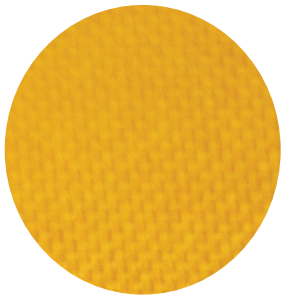
POŠKU

appiness

Fabrics

A wide range of colour choices and types of fabrics make Pusku pusku brand a suitable choice for different needs. All the materials are carefully selected by our specialists so that you could choose the best option that fits you perfectly. Each of the fabrics has its unique qualities. Some of them are perfect for indoors and chilling, others are perfect for outdoors and hard use. Check the descriptions and choose the one for you.

18-19p.



Fabric OX - Youthful Flamboyance!

OX is a very bright and colorful fabric, especially suitable for youngsters. Actually, it is our most popular fabric. Why? We think that everyone wants to be young and have some piece of "Youthful Flamboyance!". Advertising companies love this fabric, because it is waterproof and they can place it in indoor/outdoor events. OX is perfect for public, because it is suitable for hard use. The fabric is practical, because it can be cleaned or washed easily.



100 % polyester with PVC backing



Weight: 380 g / m²



Abrasion resistance: 60 000



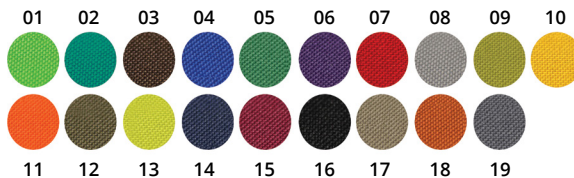
Water resistant



Washable



Cleanable



01. Fresh, 02. Turquoise, 03. Chocolate, 04. Blue, 05. Green, 06. Purple, 07. Red, 08. White Grey, 09. Lime, 10. Yellow, 11. Orange, 12. Khaki, 13. Kiwi, 14. Navy, 15. Burgundy, 16. Black, 17. Beige, 18. Pumpkin, 19. Grey.



Fabric Outside - Inside and outside!

Outside is strong and durable artificial leather suitable for both outdoor and indoor! Outside is very practical material: it is easy to maintain, because any dust or dirt can be easily cleaned with a wet cloth. You can print extra bright colours and high-quality images on Outside fabric, therefore it is highly recommended for companies to advertise their brands. Artificial leather beanbag chairs are often used in corporate outdoor events, recreational areas and residential balconies, terraces and homesteads. Use beanbag chairs of this fabric anywhere and anytime!



2 % PU, 83 % PVC, 15 % polyester



Weight: 600 g / m²



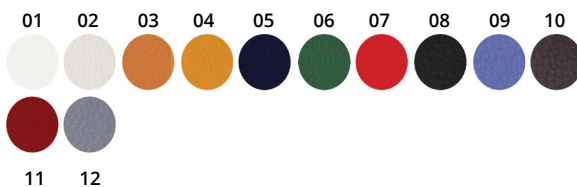
Abrasion resistance: 120 000



Water resistant



Cleanable



01. White, 02. Beige, 03. Orange, 04. Yellow, 05. Dark Blue,
06. Green, 07. Red, 08. Black, 09. Blue, 10. Brown,
11. Dark Red, 12. Grey.

BEAN BAGS

Winter Sport Edition

Contact Information

www.puskupusku.com

info@puskupusku.com

+370 620 95094

